

## Exhaust System Installation for Corvette C6 PN-11744,11766



**These instructions have been written to help you with the installation of your Borla Performance Exhaust System. Please read this document completely before beginning the installation of your system.**

**Please compare the parts in the box with the bill of materials provided to assure that you have all the parts necessary for this installation.**

**To ensure this part number fits your specific model year, please visit our website for the latest model year listings at [www.BORLA.com](http://www.BORLA.com).**

**Thank you for purchasing a Borla Performance Exhaust System.**

**Borla Performance Rear Section Exhaust System (PN-11744) is designed for the Chevrolet Corvette C6 equipped with a 6.0L /6.2LV-8 engine, automatic or manual transmission.**

**Borla Performance Rear Section Exhaust System (PN-11766) is designed for the Chevrolet Corvette C6 equipped with a 6.2L V-8 engine automatic or manual transmission.**

Borla Performance Industries recommends that an exhaust shop or professional after market parts installer, who has all the necessary equipment, tools and experienced personnel needed for proper installation, should perform the installation of this system. However, if you decide to perform the installation, we recommend someone should help you. Ensure the installer uses all under car safety precautions including eye protection.

***Please take time to read and understand the following...***

By installing your Borla Performance Exhaust System, you indicate that you have read this document and you agree with the terms stated below.

It is the responsibility of the purchaser to follow all installation instruction guidelines and safety procedures supplied with your Borla Performance Exhaust System.

Borla Performance Industries assumes no responsibility for damages occurring from misuse, abuse, improper installation, improper operation, lack of responsible care, or all previously stated reasons resulting from incompatibility with other manufacturer's products and/or systems.

Included with your Borla Performance Exhaust System is a warranty card. Please read it carefully before you begin any work on your vehicle. If you should have any questions regarding our warranty policy, installation, or any other matter pertaining to your new Borla Performance Exhaust System, please give us a call at the number provided on the warranty card.

**Minimum Required Tool List:**

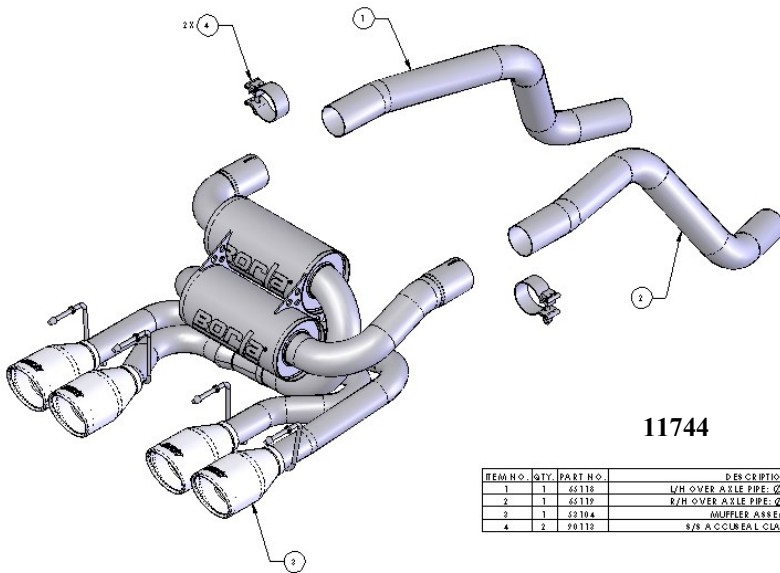
**TOOLS:**

1. 3/8" Drive Ratchet
2. 3/8" Drive Extension 3"
3. 15mm Socket
4. 13mm Socket
5. 18mm Socket
6. 15mm Wrench
7. Pry Bar

**SHOP SUPPLIES:**

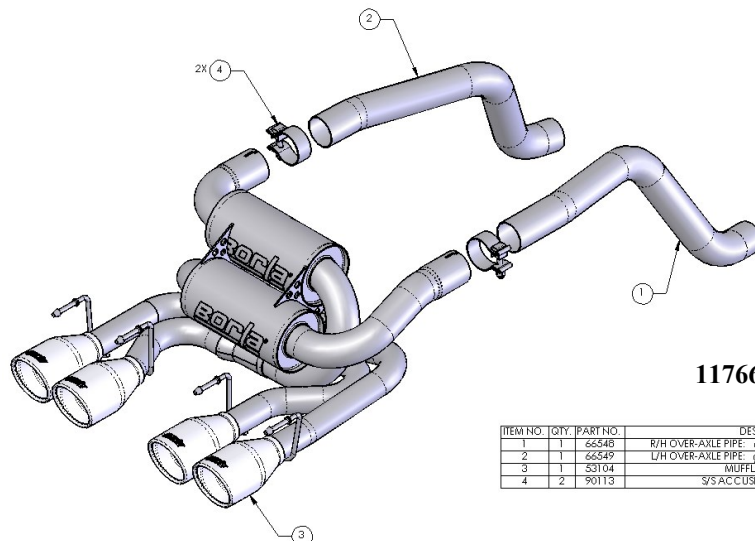
- 1 Spray Lubricant

**Borla Performance Rear Section - Bill of Materials**



**11744**

ITEM NO.	QTY.	PART NO.	DESCRIPTION
1	1	65118	L/H OVER-AXLE PIPE: Ø2.50 X 31.25"
2	1	65119	R/H OVER-AXLE PIPE: Ø2.50 X 28.00"
3	1	52104	MUFFLER ASSEMBLY
4	2	78113	S/S ACC CLUSAL CLAMP Ø2.50



**11766**

ITEM NO.	QTY.	PART NO.	DESCRIPTION
1	1	66548	R/H OVER-AXLE PIPE: Ø2.50 X 31.50" (FROM 80027)
2	1	66549	L/H OVER-AXLE PIPE: Ø2.50 X 31.25" (FROM 80027)
3	1	53104	MUFFLER ASSEMBLY
4	2	90113	S/S ACC CLUSAL CLAMP Ø2.50

**Caution!!!** *Never work on a hot exhaust system. Serious injury in the form of burns can result* If the vehicle has been in use and the exhaust system is hot, allow vehicle to cool for at least 1 hour. Always wear eye protection when working under any vehicle.

*Note: It is our recommendation that you use a hoist or hydraulic lift to facilitate the installation of your new Borla Performance Rear Section Exhaust System.*

Taking all under car safety precautions, lift the vehicle using a hoist or hydraulic lift. Once this has been done, you may begin the removal of your old exhaust system from your vehicle.

*Note: Before removing the original exhaust system from your vehicle, please compare the parts you have received with the bill of materials provided on the previous page to assure that you have all the parts necessary for the installation of your new Borla Performance Rear Section Exhaust System.*

## Original Exhaust System Removal

*Note: With a used vehicle, we suggest a penetrating spray lubricant to be applied liberally to all exhaust fasteners and allowing a significant period of time for the chemical to lubricate the threads before attempting to disassemble.*

1. Loosen the clamp located just under the transmission at the rear of the vehicle. (See Fig.1)
2. Using a 13mm socket, unbolt the spring hanger located just in front of the clamps. Place the bolts aside for use during the installation of your new exhaust system. (See Fig.2)
3. With a muffler stand or help from an assistant, hold the H-pipe assembly up into position, Unbolt the flange located just behind the catalytic converters using 15mm socket. Place the hardware and gaskets to the side for re-installation of your new exhaust system. (See Fig.3)
4. Remove the H-pipe assembly from the vehicle by dropping the front down, than sliding rear portion out of the factory over axle pipe/muffler assemblies. (See Fig.4)
5. Using a spray lubricant, lubricate the hangers at the rear of the vehicle just above the tip assembly. (See Fig.5)
6. Beginning with the driver's side of the vehicle, remove the hanger from the rubber isolators and remove the muffler assembly from vehicle. (See Fig.6)
7. On vehicle equipped with automatic transmission, remove the passengers side heat shield from the fuel tank. Using a set of pliers, bend the tab down. (See Fig.7)

**Warning: Use extreme caution during installation. Torque all fasteners according to manufacturer's torque values and tightening sequence. DO NOT use air impact tools to tighten fasteners on Borla Performance Exhaust Systems. Use of such tools may result in bent flanges or gasket contact areas leading to exhaust leaks.**

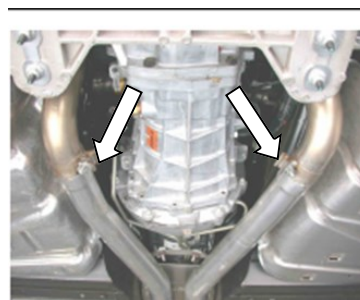


Figure 1

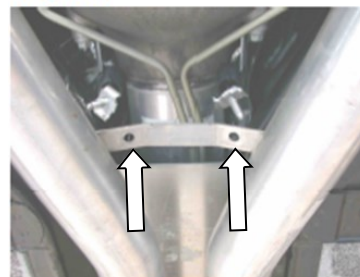


Figure 2

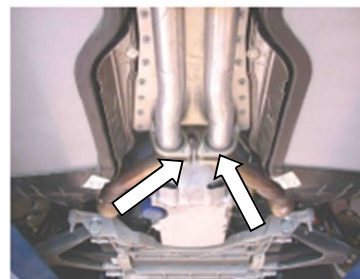


Figure 3



Figure 4

## Borla Performance Rear Section Exhaust System Installation

1. Place a clamp over the expanded end of left and right inlet pipes located on the muffler assembly (See Fig.8)
2. Insert left and right over axle pipes into their corresponding muffler inlet pipes. (See Fig. 9) **Do Not tighten clamps.**
3. Carefully guiding the over axle pipes through the exhaust openings, place the muffler/over axle pipe assembly into position, making sure to install the hangers into position. (See Fig.10)
4. Re-install the H-pipe assembly opposite order of removal and using the original hardware, reinstall the spring hangers.
5. Using the original hardware, reinstall the heat shield.
6. Orient clamp bolt between pipe notches. Tighten the Accuseal clamps to 32-35 ft. lbs.
7. Check your exhaust system for proper clearance under the vehicle and also for tip alignment.
8. Before starting your vehicle, make sure to check all wires, hoses, brake lines, body parts and tires for safe clearance from the exhaust system.
9. Start vehicle and check for any leaks. If any leaks are found, determine cause (such as loose or incorrectly positioned clamp) and repair as necessary.

**Congratulations!!!** You have completed the installation of the world famous Borla Performance Stainless Steel Exhaust System.

*Note: When you first start your vehicle after the installation of your new Borla Performance Exhaust System, there may be some smoke and fumes coming from the system. This is a protective oil based coating used in the manufacturing of mandrel bent performance exhaust tubing. This is not a problem and will disappear within a very short period of time after the exhaust has reached normal operating temperatures.*



Figure 5



Figure 6



Figure 7



Figure 8



Figure 9



Figure 10